

391018 (E9STGH1000)
Gas Solid Top

Main Features

- All major compartments located in front of unit for ease of maintenance.
- Durable cast iron cooking plate, easy to clean.
- Central burner with optimized combustion, flame failure device and protected pilot light.
- Pans can easily be moved from one area to another without lifting.
- Temperature gradients to satisfy different cooking needs, provided over the whole plate thanks to the temperature fine-tuning by zone.
- The center of the plate can reach a maximum temperature of 500 °C while decreasing outwards.
- The special design of the control knob system guarantees against water infiltration.
- Various sizes of pans can be used at the same time due to large surface area with no intermediate sectors.
- Gas heated, 10.5 kW central burner, solid top.
- Piezo ignition.
- Suitable for countertop installation.

Construction

- Model has right-angled side edges to allow flush fitting joints between units, eliminating gaps and possible dirt traps.
- IPX5 water resistance certification.
- All exterior panels in Stainless Steel with Scotch Brite finishing.
- Unit is 930 mm deep to give a larger working surface area.



Optional Accessories

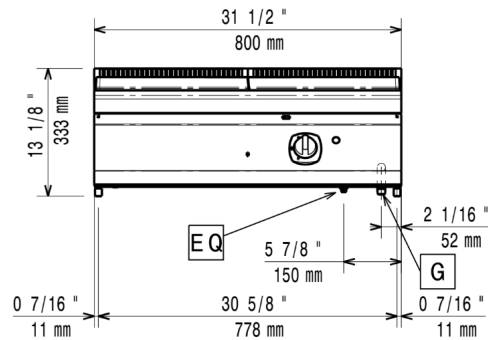
| PNC Code | Description |
|-------------------------------|--|
| Bridge supports | |
| 206137 | Support for bridge type installation, 800mm |
| 206138 | Support for bridge type installation, 1000mm |
| 206139 | Support for bridge type installation, 1200mm |
| 206140 | Support for bridge type installation, 1400mm |
| 206141 | Support for bridge type installation, 1600mm |
| Chimney upstands | |
| 206132 | Draught diverter, 150 mm diameter |
| 206133 | Matching ring for flue condenser, 150 mm diameter |
| 206246 | Flue condenser for 1 module, 150 mm diameter |
| 206304 | Chimney upstand, 800mm |
| 206400 | Chimney grid net, 400mm (700XP/900) |
| Drains | |
| 206345 | Water drain for fry tops HP |
| Gas nozzles | |
| 206386 | Kit town gas nozzles (G150) for 900 solid top with burners |
| 206459 | Kit G.25.3 (NI) gas nozzles for 900 solid tops and solid top combined with burners |
| Handrails | |
| 216044 | Side handrail-right/left hand (900XP) |
| 216047 | Frontal handrail, 800mm |
| 216049 | Frontal handrail, 1200mm |
| 216050 | Frontal handrail, 1600mm |
| 216185 | Large handrail - portioning shelf, 400mm |
| 216186 | Large handrail - portioning shelf, 800mm |
| Installation solutions | |
| 206086 | Junction sealing kit |
| Other accessories | |
| 927225 | Pressure regulator for gas units |
| Panels | |
| 216278 | 2 side covering panels for top appliances |
| Water taps | |
| 206289 | Water column with swivel arm (water column extension not included) |
| 206290 | Water column extension for 900 line |



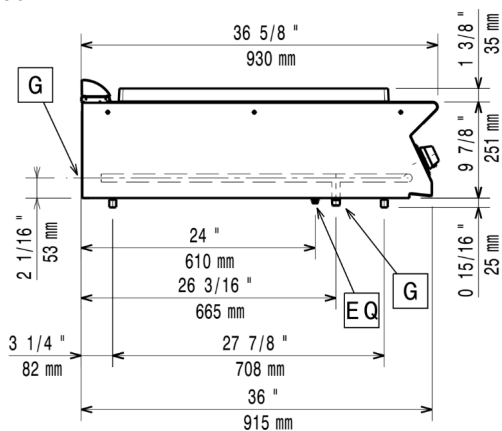
Technical specifications

| Gas | |
|-----------------------------------|----------------------------|
| Gas Power: | 10.5 kW |
| Standard gas delivery: | Natural Gas G20 (20mbar) |
| Gas Type Option: | LPG; Natural Gas; Town Gas |
| Gas Inlet: | 1/2" |
| Key Information: | |
| External dimensions, Width: | 800 mm |
| External dimensions, Depth: | 930 mm |
| External dimensions, Height: | 250 mm |
| Net weight: | 92 kg |
| Shipping weight (gross): | 105 kg |
| Shipping height: | 540 mm |
| Shipping width: | 1020 mm |
| Shipping depth: | 860 mm |
| Shipping volume: | 0.47 m ³ |
| Certification group: | N9TG |
| Solid top usable surface (width): | 795 mm |
| Solid top usable surface (depth): | 696 mm |

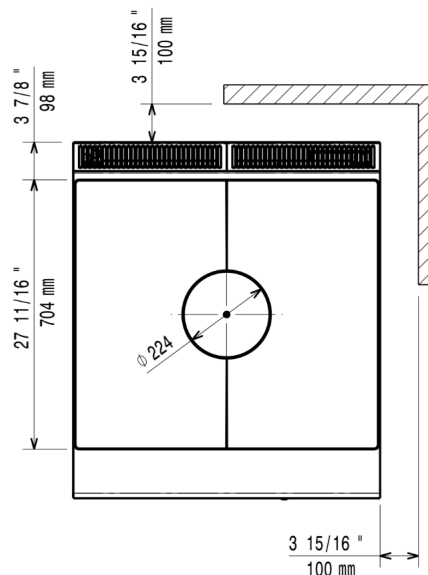
Front



Side



Top



G = Gas connection
EQ = Equipotential screw



Find out more:
ISO Certificates
Electrolux Professional Recognitions

The company reserves the right to make modifications to the products without prior notice. All information correct at time of printing.

2026/06/25

3/3